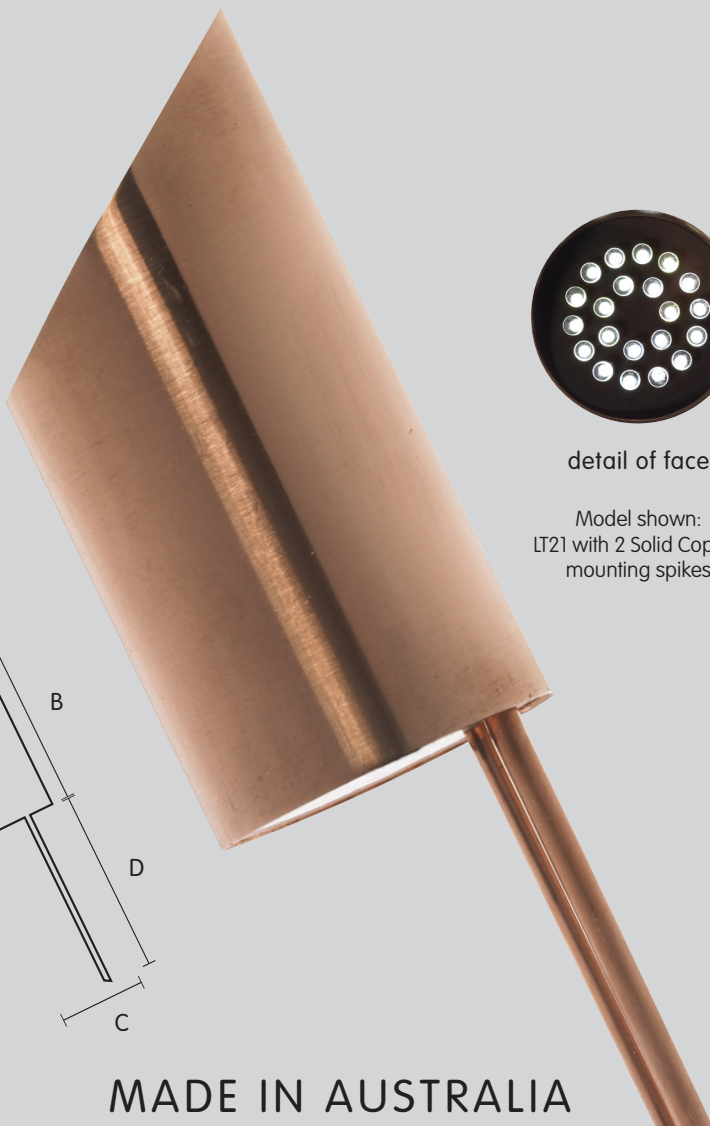


Light this Light that

LED Garden Light

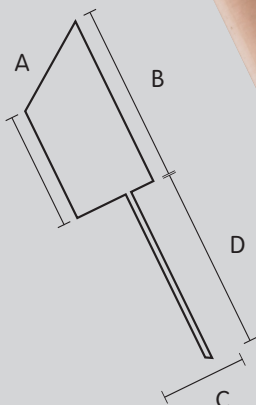
Solid Copper
Extremely low voltage

"Bondi Barrel"



detail of face

Model shown:
LT21 with 2 Solid Copper
mounting spikes



MADE IN AUSTRALIA

The Light This Light That Copper range is available in 6 sizes. Your Australian made Light This Light That LED Garden light is IP68 rated, which means it can be installed outdoors, under water, in your pond or water feature.

This light system contains non replaceable parts. Do not attempt to force open the light.

Indoor/ Outdoor

model	dimensions				mount spikes	current watts	current mA (max)	lense degrees
	length (A)	length (b)	width (c)	length (d)				
LT1	45mm	45mm	10mm	100mm	1	0.25	20	45
LT3	32mm	50mm	25mm	200mm	1	0.25	20	45
LT6	39mm	60mm	32mm	200mm	1	0.5	40	45
LT12	45mm	70mm	38mm	200mm	1	1	80	45
LT21	66mm	100mm	50mm	200mm	2	1.75	140	45
LT30	67mm	110mm	63mm	200mm	2	2.5	200	45

Note: 1 Amp = 1000 milliamps (mA).

Polarity sensitive.

Disclaimer: Consistent with our product development policy, improvements may be made which render the contents of this document different to that shown. While every care has been taken with the details on this specification sheet, Light This Light That Pty Ltd accepts no responsibility for any inaccuracies and reserves the right to change the specifications without incurring obligation. Light This Light That Pty Ltd reserves the right to change specifications without notice.
© Copyright 2013 Light This Light That Pty. Ltd.

Copper:

Solid copper will age individually overtime to a verdigris finish. A bluish-green coating usually of carbonate of copper that forms on copper, brass or bronze when exposed to air for long periods of time. Colour can change towards a red-brown depending on the chemistry of the environment the copper is exposed to.

Specifications:

Materials: Casing is made from solid Copper in matt finish.

Face is made from weatherproof premium quality acrylic

Power Source: Low Voltage 12 V DC input (regulated)

Weatherproof

Rating: IP 68

Mounting: Solid Copper Earth Spike(s)

Pre wired: Rear entry 900mm (length) weatherproof cable (20 gauge)

Warranty: 3 years for electrics
10 years for 316 Stainless Steel and Solid Copper casing

Cabling: Light This Light That Weatherproof harness (18 gauge) with screw in plugs, or similar (see Light This Light That Accessories Catalogue)

LED type: State of art: NICHIA :5mm Lights are polarity sensitive

LED Colours: Cool White Typical 5300 K
Warm White Typical 3000 K
Lush (green warm white combination)

N30415 Complies with standards AS/ NZS CISPR 15: 2006

Features:

- Australian Owned
- Australian Made
- Extremely low energy consumption
- 12 volt low voltage
- Up to 60,000 hours life
- No globes to change
- Directional light efficiency
- Ambient light
- Solid state technology
- No fragile glass environment
- Non corrosive body
- Ideal for coastal environments
- No Ultraviolet radiation
- No Infrared radiation
- No UV to attract insects
- Cool to touch
- Doesn't burn plants
- No Mercury
- Portable
- Easy installation, easy to move
- Choice of sizes
- IP 68 - highest water proof rating
- No condensation issues
- Electrics protected from syphoning damage

Australian Owned & Australian Made



Distributor